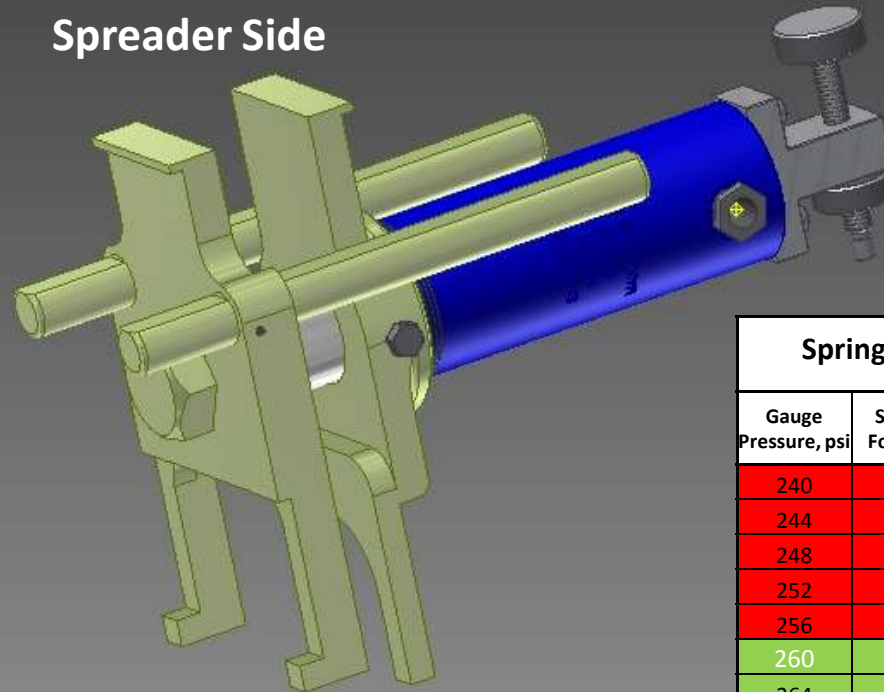


Gauge Pressure, psi	Spreader Force, lbf
0	0
100	224
200	448
300	672
400	896
500	1120
600	1344
700	1568
800	1792
900	2016
1000	2240
1100	2464
1200	2688
1300	2912
1400	3136
1500	3360
1600	3584
1700	3808
1800	4032
1900	4256
2000	4480



Manufacturer's rating is **MAXIMUM** safe limit.  
 Use only loads within **GREEN** areas.  
 Use only for its intended design.

Spreader Side



Spring Tester Side

Gauge Pressure, psi	Spring - Force, lbf	Gauge Pressure, psi	Spring - Force, lbf
240	538	304	681
244	547	308	690
248	556	312	699
252	564	316	708
256	573	320	717
260	582	324	726
264	591	328	735
268	600	332	744
272	609	336	753
276	618	340	762
280	627	344	771
284	636	348	780
288	645	352	788
292	654	356	797
296	663	360	806
300	672		

