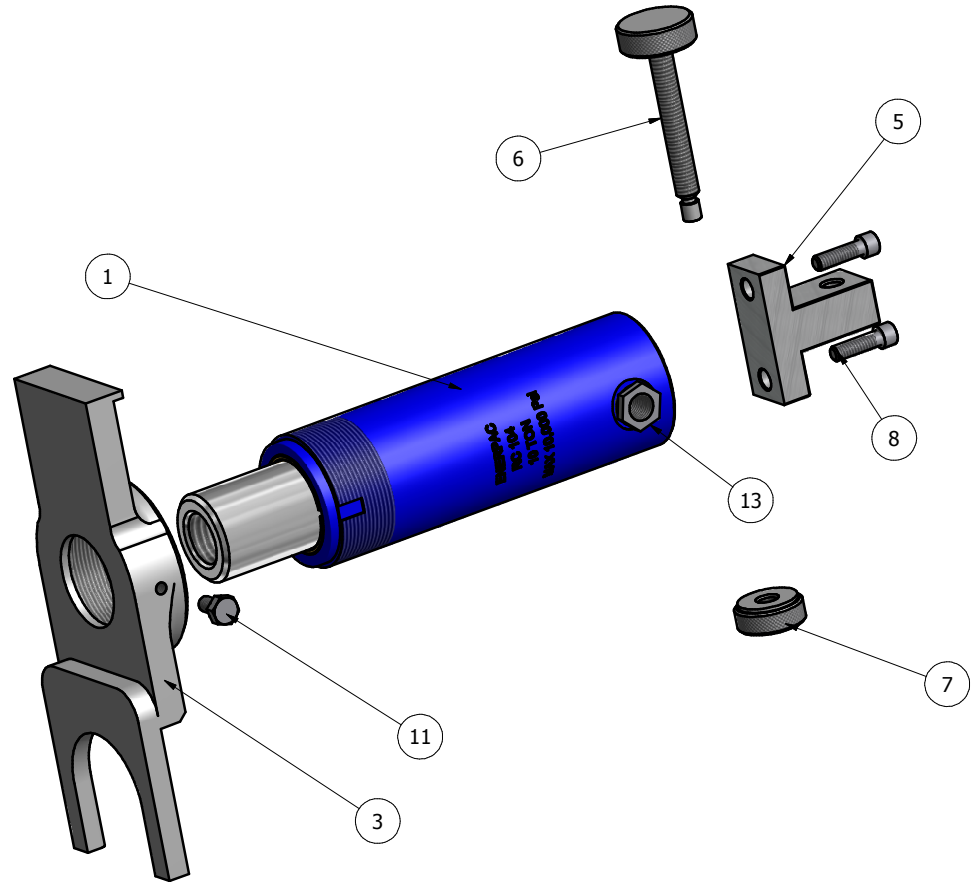
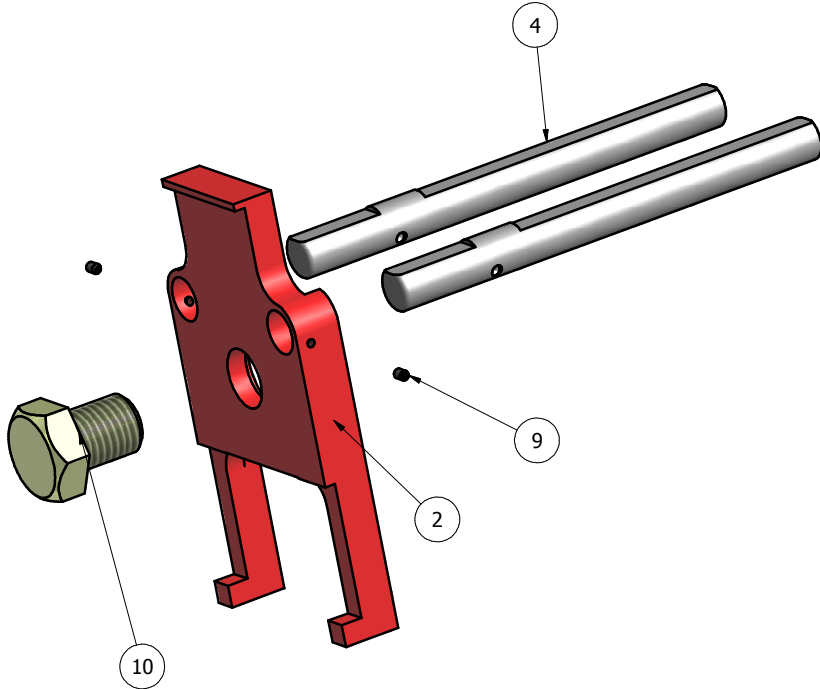
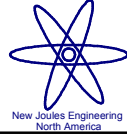


PARTS LIST			
ITEM	QTY	PART NUMBER	DESCRIPTION
1	1	Enerpak RC104-cylinder	
2	1	FrogSpreader_Plunger Jaw	
3	1	FrogSpreader_Collar Jaw	
4	2	Stabilizer Bar	
5	1	Leveling Screw Bracket	
6	1	Swivel Head Screw 3_8x3	
7	1	Swivel Head Screw Lock Nut 3_8-16	
8	2	ANSI B18.3 - 1/4 - 20 UNC - 7/8 HS HCS	Hexagon Socket Head Cap Screw
9	2	ANSI B18.3 - 8 - 32 x 1/4	Type G - Hexagon Socket Set Screw - Cup Point
10	1	Bolt 1_0-8x1_25	
11	1	ANSI/ASME B18.2.1 - 1/4-20 UNC - 0.5	Hex Bolt - UNC (Regular Thread - Inch)



 New Jules Engineering North America	Proprietary and Confidential <small>The information contained in this drawing is the sole property of New Jules Engineering North America and reproduction in part or in whole without written permission from New Jules Engineering North America is prohibited.</small>
	Description Spring Frog Tester - Exploded Assembly View
	Part No.
	Date:
Drawn By: Haris Thygesen	Material:
Sheet No.	